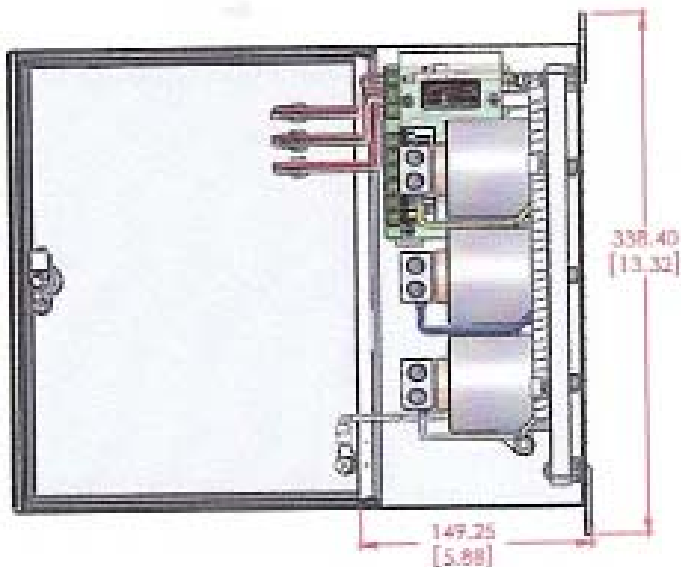
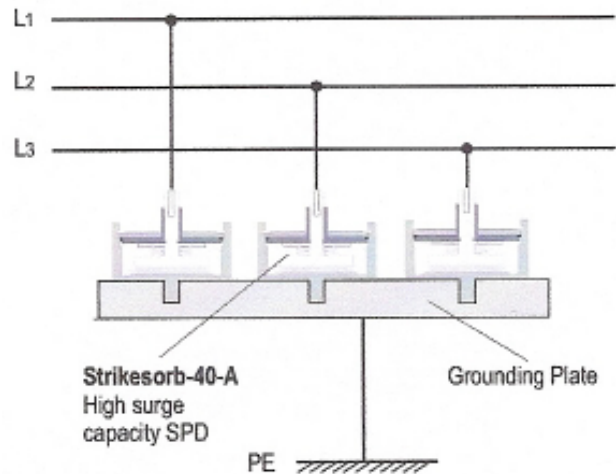
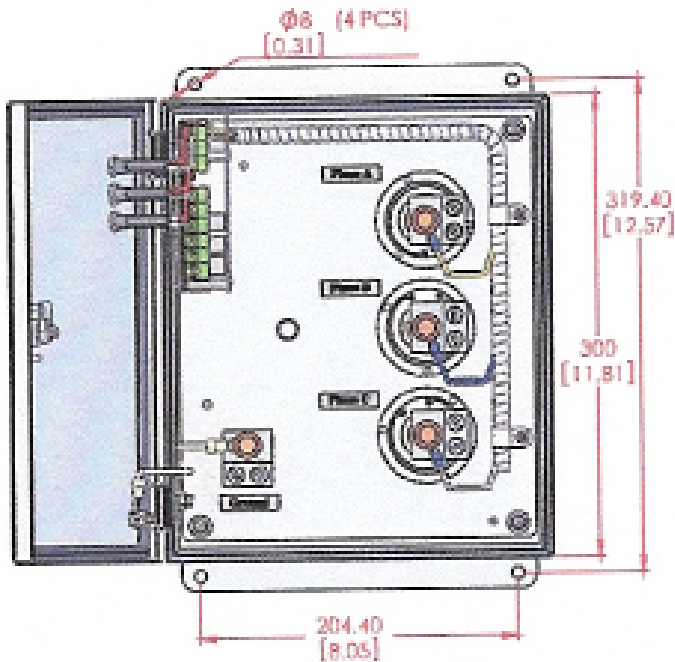


Rayvoss 120-3Y-M3-3-06-A

Transient Voltage Surge Suppression (TVSS) Systems

The Rayvoss 120-3Y-M3-3-06-A panel, protects 120/208V three phase wye (3-wire plus ground) indoor or outdoor electrical installations. Each panel features three patented Strikesorb® TVSS modules which connect between the three line conductors and the ground. Listed to UL 1449 2nd Edition, including revisions effective February 2007 this panel is equipped with LED phase indicators and a remote relay.



Each patented Strikesorb module use a 40 mm distribution-grade metal oxide varistor (MOV) designed to withstand repeated surges providing a cost-effective and maintenance-free operation in harsh environments or areas of poor power quality. Its unique design provides low clamping voltages, excellent heat dissipating abilities, and superior energy handling characteristics which remain unchanged throughout the modules long service life, minimizes the effects of aging, and completely eliminates the risk of catastrophic failure, explosion, fire, or soot, which are common in conventional surge protection devices.

For more information on Rayvoss panels, Strikesorb, or Intersect integrated or power transfer load centers protected with Strikesorb, e-mail Intersect today at solutions@intersectinc.com.

Intersect, Inc.

Quality products. Premium customer care. Integrated solutions.

General Specifications

Operating temperature

-40 to 185°F (-40 to 85°C)

Environmental protection

IP65 — NEMA 4

Enclosure dimensions

12" x 10" x 6"

Warranty

10 years

Electrical Characteristics

Nominal voltage

120/208 V, 3Ø wye

Maximum continuous operating voltage (MCOV)

150 kA

Maximum surge current I_{MAX} (8/20)

NEMA LS1 (L-G)

140 kA

Maximum lightning current I_{IMP} (10/350)

IEC 61643-1 (L-G)

7.5 kA

Let through voltage level for surge current 10 kA* (8/20) (L-G)

435 V

Short circuit current rating (SCCR)

100 kAIC

Long duration surge performance

500 A square waveform 2 ms (IEEE

C62.11)

250 hits

Response time

< 1ns

Installation Instructions

Cautions & warnings

- The unit should be installed only by qualified personnel
- Installation and wiring must conform to the National Electric Code (NEC)
- The maximum size of the conductors should be No. 2 AWG or 35 mm²
- The maximum service or feeder rating is 100 A
- The unit should be disconnected from energized circuits before servicing

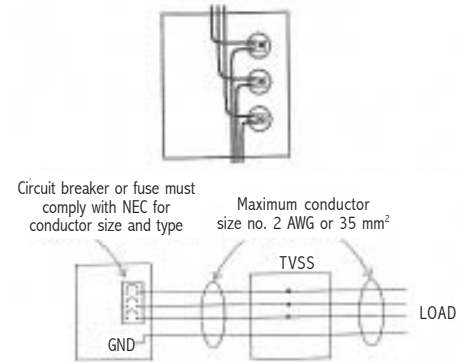
Mounting

the unit need to mount to a solid, flat vertical surface capable of supporting 35 pounds
NOTER: Do not use the mounting lugs to make a safety/protection ground

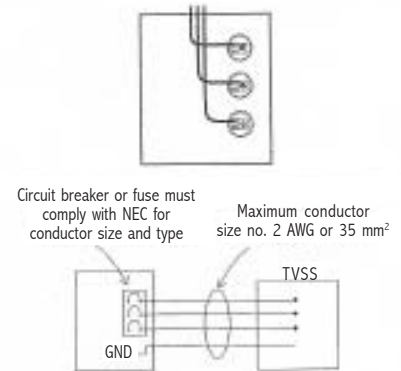
Grounding

Ground connection is made to the ground terminal mounted on the inside of the Rayvoss enclosure. The connection should be made by a short straight cable to the power ground or to the main ground bar at the installation location.

IN-LINE CONNECTION



IN-LINE CONNECTION



Intersect, Inc.

P.O. Box 753 — Liberty Lake WA 99019 — USA
Phone: 509.255.9570 — Fax: 509.255.6034
www.intersectinc.com