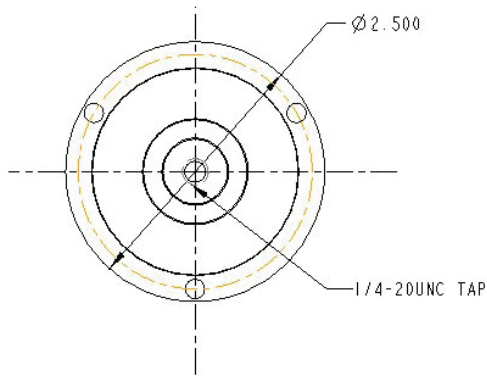


# Strikesorb®

## Surge Suppression Modules



The Strikesorb surge suppression modules are used either in stand-alone surge protection panels or integrated inside larger systems and within Intersect integrated service entrance and sub-panel cabinets.

### Surge Protection Composition

- Heavy duty distribution-grade metal oxide varistor (MOV) disk with a proprietary coating, assembled under pressure in an environmentally sealed aluminum casing.

### Surge Protection Performance

- Incorporates state of the art MOV technology developments providing superior protection characteristics, which remain unchanged throughout its long service life.
- Strikesorb 40-A surge suppression modules are capable of handling up to 140 kA of surge current per the 8/20 NEMA LS-1 specification.
- Excellent thermal management of the MOV with uniform distribution of the surge current over the total area of the MOV provides very low internal contact resistance.
- Strikesorb modules provide high energy handling capability coupled with very low let-through voltages.

### Design Attributes

- Patented design minimizes the effects of aging and completely eliminates the risk of catastrophic failure, explosion, fire, or soot, which are common in conventional surge protection devices.
- Strikesorb modules withstand repeated surges and provide a cost-effective and maintenance-free operation in harsh environments or areas of poor power quality.
- Strikesorb is the only UL 1449 3rd edition (or current) recognized surge protection rated for safe operation without the use of an additional internal fuse.

For more information on Strikesorb or Intersect integrated or power transfer load centers protected with Strikesorb, e-mail Intersect today at [solutions@intersectinc.com](mailto:solutions@intersectinc.com).

# Intersect™, Inc.

Quality products. Premium customer care. Integrated solutions.

## General Data

### Model<sup>1</sup>

Strikesorb 40-A

### 40-A module dimensions

- Diameter: 2.5" (63.5 mm)
- Height: 3.7" (94.6 mm)

### Operating temperature

-40 to 185°F (-40 to 85°C)

### Environmental protection

IP65

### Standards compliance

- IEEE C62.41
- IEEE C62.45
- IEEE C62.11
- NEMA LS-1
- IEC 61643-1 ed 2:2005
- EN 61643-A11:2005
- IEC 61643-12

### Listings

- UL 1449 3rd Ed (or current)
- CE
- VDE

## Surge Protection Levels

Voltage protection rating (VPR)  
per UL 1449 3rd Ed

600 V

Response time

<1 ns

Maximum surge current,  $i_{max}$  (8/20)

NEMA LS-1

140 kA

Maximum lightning current,  $i_{imp}$  (10/350)

IEC 61643-1

7.5 kA

Let through voltage level<sup>2</sup>

435 V – for surge current 10 kA (8/20)  
(IEEE C62.41-1)

Long duration surge performance

250 hits – for 500 A square waveform 2 ms  
(IEEE C62.11)

Short circuit current rating

- Tested for safe installation behind a 4,000 A Class L time-delay fuse at available fault current 200 kA
- 3-cycle testing at 85 kA

## Electrical Characteristics

Operating voltage<sup>1</sup>

120 V

Maximum continuous operating voltage

150 V

V<sub>ref</sub> (peak) at 5 mA AC (peak)

263 V

V<sub>ref</sub> at 5 mA DC

252 V

Operating frequency range

0 to 500 Hz

Leakage current at V<sub>n</sub>

0.30 mA

- 
1. Strikesorb 40 modules are also available in models to support 240, 277, and 400 V operating voltages. Strikesorb 80 modules are available in models to support 120, 240, 277, 400, 480, and 600 V operating voltages. For further details on these units, please contact Intersect.
  2. Actual surge current through Strikesorb module.

**Intersect, Inc.**