

PTLC-MTS-12200-CL

Service Entrance Solution for Walk-In Cabinets and Small Cell Sites



The PTLC-MTS-12200-CL is a power transfer load center with a manual transfer switch that is designed for small AC service entrance spaces. This compact enclosure measures 32" H x 22" W x 11.25" D. With Cam-Loks, which provide universal engine generator set connections, the width is 27". A mechanically-interlocked manual transfer switch, Strike-sorb® surge protection modules, a Square D 30-position load center, an alarm for utility power loss, an external outlet with GFCI receptacle, and CamLok connectors all are integrated within the NEMA 3R enclosure.

AC Service Entrance Rated

- Single phase, 120/240 V, 200 A, rated 22kAIC
- Rugged NEMA 3R-compliant enclosure for outdoor or indoor use
- Aluminum construction is lightweight and corrosion-resistant
- Pad-lockable door prevents unauthorized access to PTLC, while pad-lockable tab prevents unauthorized access—with or without generator cables connected—to the CamLok connectors

Powerful Integrated Performance

- Mechanically-interlocked transfer switch constructed of two main circuit breakers, preventing both circuits (utility and generator power sources) from being closed at the same time
- Safeguards critical loads from transients and load transfer spikes using Strikesorb surge suppression
 - Protection characteristics remain unchanged throughout service life due
 - Withstands repeated surges, providing cost-effective and maintenance-free operation in demanding environments
 - Critical loads are never left unprotected, as Strikesorb operates to a short circuit and trips main disconnect breaker in the event of a long duration, potentially catastrophic over-voltage event
 - Loads and personnel are safe from over-voltage damage until a qualified technician or electrician replaces modules
- Square D, QO Series panel board supports 30 circuits

For more information contact Intersect at solutions@intersectinc.com.



Intersect™, Inc.

Quality products. Premium customer care. Integrated solutions.

Product No	Description
PTLC-MTS-12200-CL	240/120 V; 1Ø; 200 A; Strikesorb; utility alarm monitor; 30-position load center; NEMA 3R; with CamLok style connector enclosure.

General Data

Enclosure Dimensions (H x W x D)

32" x 22"[†] x 11.25"
[†]27" with CamLok enclosure

Weight

<100 lbs

UL Certification

- UL 891 - Dead front switch boards
- Suitable for use as Service Entrance
- File #E488098

Electrical Specifications

- 120/240 V
- Single phase
- 200 A maximum
- SCCR: 22,000A RMS

Enclosure

Rating

NEMA 3R

Composition

Aluminum

Powder Coat Paint

UL Pantone (Cod Gray)[†]

[†]Other Pantone colors may be requested

Door

- 3-point pad-lockable latch on PTLC
- Pad-lockable tab closure on CamLok panel

Convenience Receptacle

External 20-A outlet for GFCI receptacle

Load Center

Panelboard Type

Square D, QO Series

Circuit Breaker Positions

30 circuits

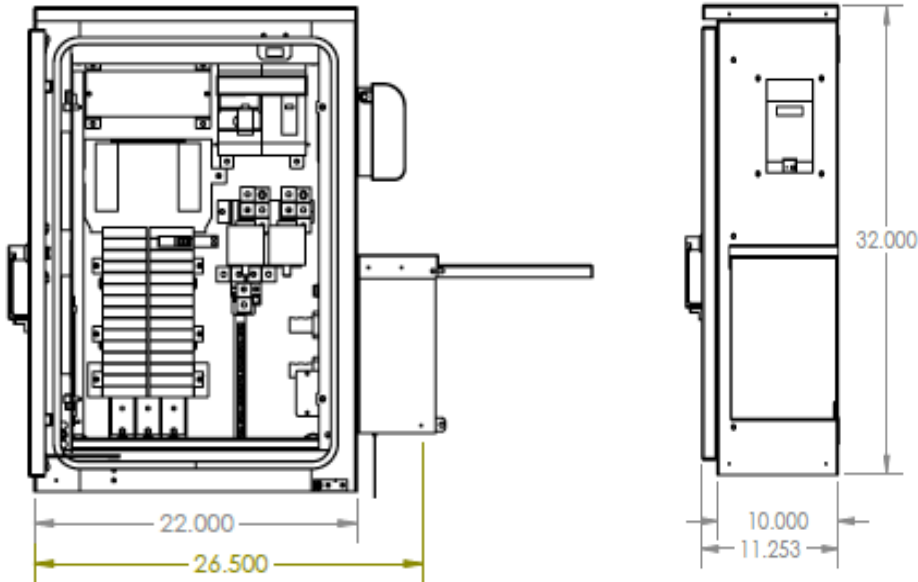
Suppression Technology

Technology Type

Strikesorb 40-A, 120 V modules

Listings

UL 1449 3rd Ed (or current), CE, VDE

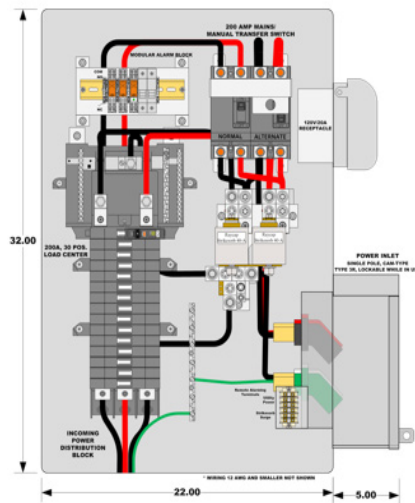


Front view.

Side view.



CamLok connector panel enclosure.



PTLC-MTS-12200-CL panels measure 32"H x 22"W x 11.25"D