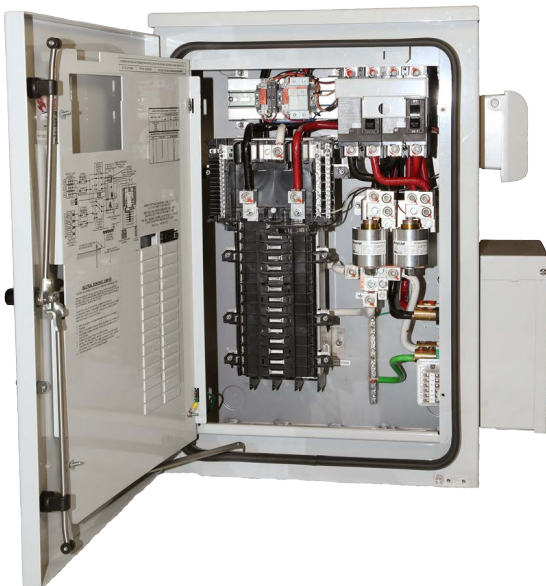


# PTLC-MTS-12200-CL

*Service Entrance Solution for Small Spaces*



The PTLC-MTS-12200-CL is a power transfer load center with a manual transfer switch that is designed for small AC service entrance spaces. This compact enclosure measures 32" H x 22" W x 11.25" D. With optional CamLoks, which provide universal engine generator set connections, the width is 27". A mechanically-interlocked manual transfer switch, Strikesorb<sup>®</sup> surge protection modules, a Square D 30-position load center, an alarm for utility power loss, an external outlet with GFCI receptacle, and optional CamLok connectors all are integrated within the NEMA 3R enclosure.

## AC Service Entrance Rated

- Single phase, 120/240 V, 200 A, rated 22kAIC
- Rugged NEMA 3R-compliant enclosure for outdoor or indoor use
- Aluminum construction is lightweight and corrosion-resistant
- Pad-lockable door prevents unauthorized access to PTLC while a pad-lockable tab prevents unauthorized access—with or without generator cables connected—to the CamLok connectors

## Powerful Integrated Performance

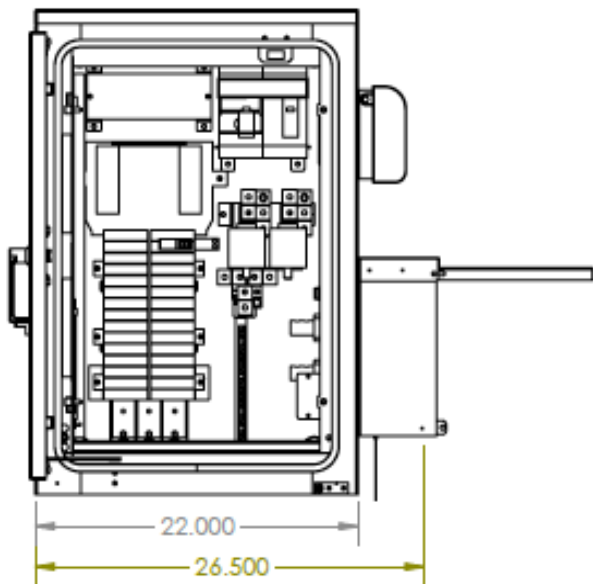
- Mechanically-interlocked transfer switch constructed of two main circuit breakers, preventing both circuits (utility and generator power sources) from being closed at the same time
- Safeguards critical loads from transients and load transfer spikes using Strikesorb surge suppression
  - Protection characteristics remain unchanged throughout service life due
  - Withstands repeated surges, providing cost-effective and maintenance-free operation in demanding environments
  - Critical loads are never left unprotected, as Strikesorb operates to a short circuit and trips main disconnect breaker in the event of a long duration, potentially catastrophic over-voltage event
  - Loads and personnel are safe from over-voltage damage until a qualified technician or electrician replaces modules
- Square D, QO Series panel board supports 30 circuits

For more information contact Intersect at [solutions@intersectinc.com](mailto:solutions@intersectinc.com).

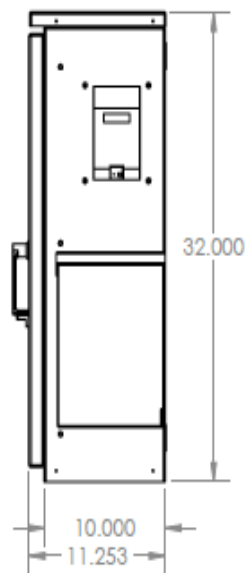
# Intersect<sup>™</sup>, Inc.

Quality products. Premium customer care. Integrated solutions.

Product No	Description
PTLC-MTS-12200	240/120 V; 1Ø; 200 A; Strikesorb; utility alarm monitor; 30-position load center; NEMA 3R
Options	
-CL	Add this extension to order panel with CamLok style connector enclosure (i.e. PTLC-MTS-12200-CL). Other connectors may be requested from Intersect, as may be a custom version without the CamLok connector enclosure.



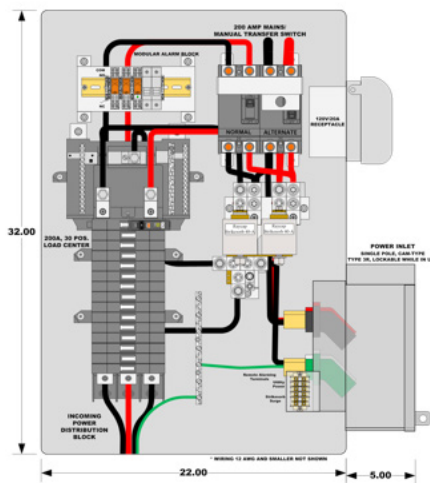
Front view.



Side view.



CamLok connector panel enclosure.



PTLC-MTS-12200-CL panels measure 32”H x 22”W x 11.25”D

## General Data

### Enclosure Dimensions (H x W x D)

32” x 22”<sup>†</sup> x 11.25”

<sup>†</sup>27” with CamLoks

### Weight

<100 lbs

### UL Certification

- UL 891 - Dead front switch boards
- Suitable for use as Service Entrance
- File #E488098

## Electrical Specifications

- 120/240 V
- Single phase
- 200 A maximum
- SCCR: 22,000A RMS

## Enclosure

### Rating

NEMA 3R

### Composition

Aluminum

### Powder Coat Paint

UL Pantone (Cod Gray)<sup>†</sup>

<sup>†</sup>Other Pantone colors may be requested

### Door

- 3-point pad-lockable latch on PTLC
- Pad-lockable tab closure on CamLok panel

### Convenience Receptacle

External 20-A outlet for GFCI receptacle

## Load Center

### Panelboard Type

Square D, QO Series

### Circuit Breaker Positions

30 circuits

## Suppression Technology

### Technology Type

Strikesorb 40-A, 120 V modules

### Listings

UL 1449 3rd Ed (or current), CE, VDE

**Intersect, Inc.**